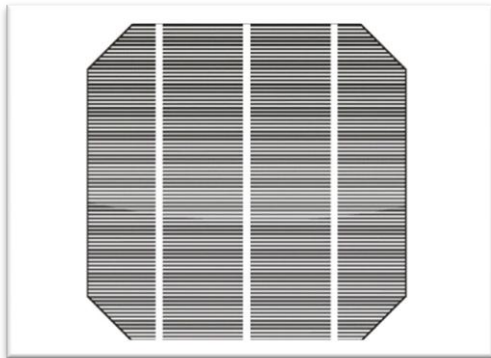




NEASE – 5" Mono – Crystalline Silicon Solar Cell



PHYSICAL CHARACTERISTICS

Dimension 125mm X 125mm + 1mm (pseudo – square)

Diagonal : 150mm X 1.0mm (round chamfers)

Thickness : 220µm + 40µm

Front : Silver bus bars; Dark blue/others silicon nitride antireflection coating

Back : Silver/aluminium bus bars; Full-surface aluminium BSF

ELECTRICAL CHARACTERISTICS

Model no.	Efficiency	Pmax (W)	Average	Imp (A)	Vmp (V)	Isc (A)	Voc (A)
NEASE-1700	16.90-17.10	>2.505	>2.505	>4.578	>0.523	>4.964	>0.615
NEASE-1680	16.70-16.90	2.505	2.490	4.718	0.540	5.032	0.628
NEASE-1660	16.50-16.70	2.475	2.461	4.710	0.538	5.002	0.628
NEASE-1640	16.30-16.50	2.446	2.431	4.695	0.537	4.969	0.628
NEASE-1620	16.10-16.30	2.416	2.401	4.694	0.536	4.933	0.627
NEASE-1600	15.90-16.10	2.386	2.372	4.686	0.534	4.903	0.627
NEASE-1580	15.70-15.90	2.357	2.342	4.665	0.529	4.879	0.627
NEASE-1560	15.50-15.70	2.327	2.312	4.620	0.526	4.864	0.626
NEASE-1540	15.30-15.50	2.297	2.283	4.617	0.524	4.861	0.626

* Data under standard testing conditions (STC) : 1,000W/M² ,AMI5,25°

* All figures bear ±5% of tolerance.

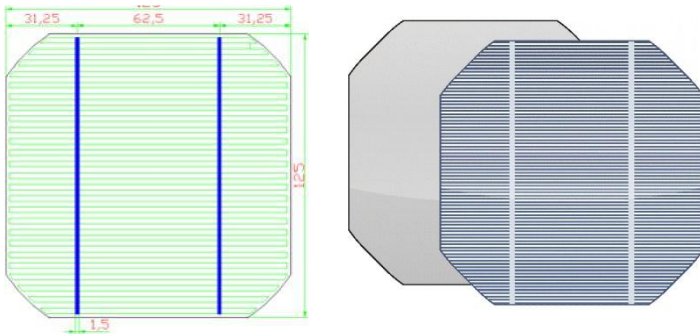
* Model name = Product code + Efficiency code.



TYPICAL TEMPERATURE COEFFICIENT

Voltage	-2.12 mV/K
Current	+2.50 mA/k
Power	-0.43 %/K

PATTERN



PACKAGE

Typical package for one box is 1,000 cells. These cells are sealed in paper boards every 100 pcs. Gross weight per unit box shall be around 13kg.